

TECHNICAL SPECIFICATION

LED Accent lighting QUAD



Technical data

- Power: 1x10W; 2x10W; 3x10W; 4x10W; 6x10W
- Colour temperature: 4000K; 2700K
- Rated voltage: 230V / 50/60Hz
- Lumens /whole fixture/
 - 1x10W – 700lm
 - 2x10W – 1400lm
 - 3x10W – 2100lm
 - 4x10W – 2800lm
 - 6x10W – 4200lm
- Light source: LED PAR30
- Lampholder: E27
- LED type: COB
- Colour rendering index: Ra≥80
- Switch on/off > 20000
- Protection against dust and moisture: IP20
- Housing: aluminum
- Colour of the housing: white; silver; black
- Long life: 30000 hours
- Beam angle: 38°

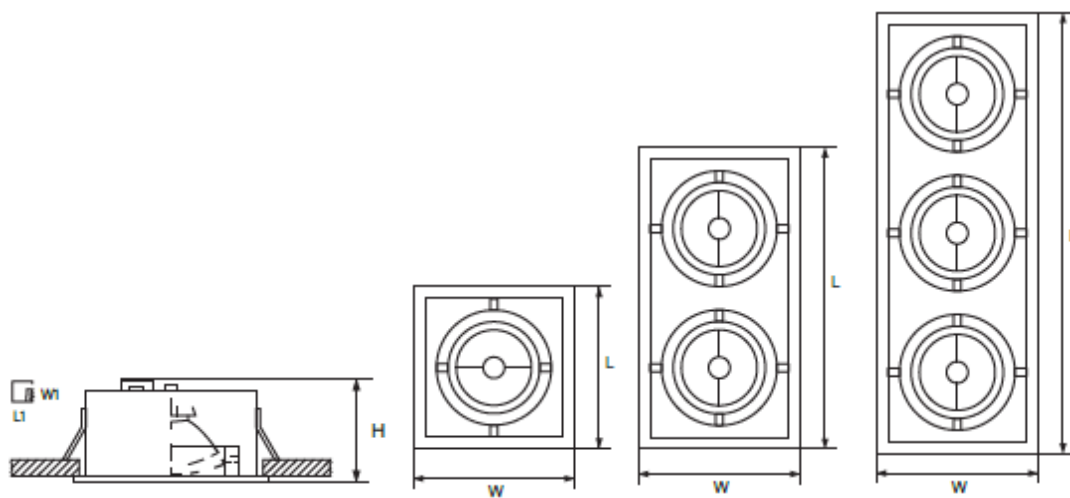
Areas of application

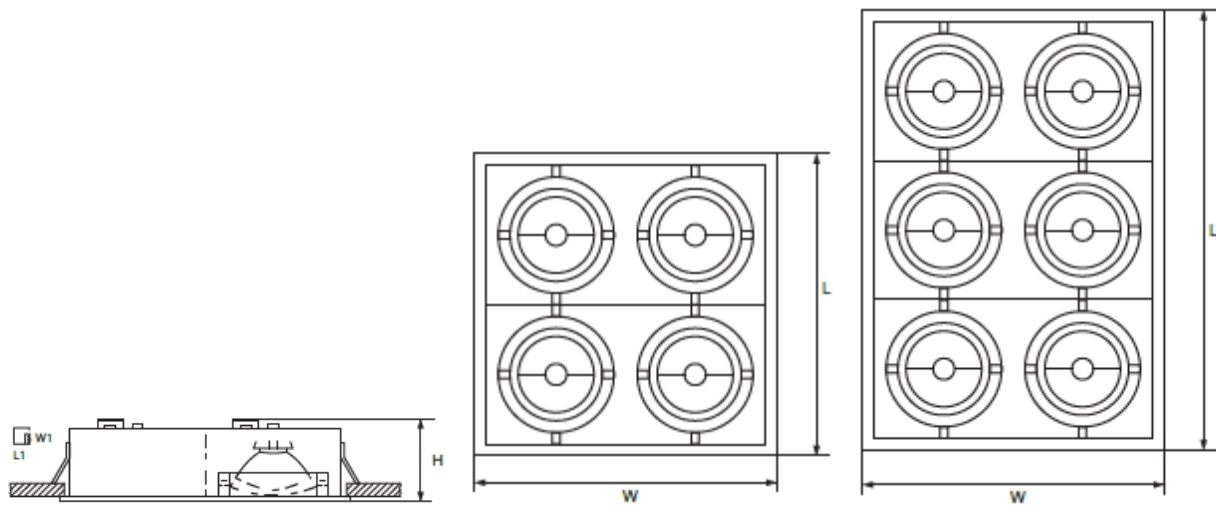
- Commercial sites
- Administrative buildings
- Banks
- Hospitals
- Schools
- Entertainment and leisure spots

Product benefits

- Completely replace traditional lighting fixtures
- Pleasant and uniform light distribution
- Low power consumption
- Repeated switch on/off does not affect the lifespan
- Instant light with maximum luminous flux
- Environmentally friendly - no mercury and lead
- No ultraviolet and infrared rays
- Resistant to shock and vibration-free body
- Low heat emission

Variants and dimensions

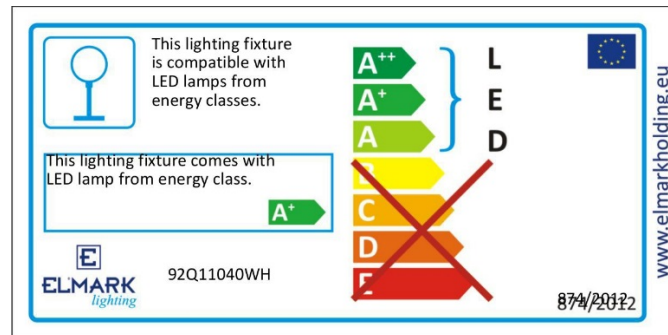




Model	Watt	Whole fixture lumens (lm)	Colour temp. (K)	Colour body	Size					Catalogue number	Packing (pcs)
					L	W	H	L1	W1		
QUAD110	10W	700	4000K	white	190	190	145	165	165	92Q11040WH	20
QUAD110	10W	700	2700K	white	190	190	145	165	165	92Q11027WH	20
QUAD110	10W	700	4000K	silver	190	190	145	165	165	92Q11040SLV	20
QUAD110	10W	700	2700K	silver	190	190	145	165	165	92Q11027SLV	20
QUAD110	10W	700	4000K	dark grey	190	190	145	165	165	92Q11040DGR	20
QUAD110	10W	700	2700K	dark grey	190	190	145	165	165	92Q11027DGR	20
QUAD210	2X10W	1400	4000K	white	340	190	145	315	165	92Q21040WH	20
QUAD210	2X10W	1400	2700K	white	340	190	145	315	165	92Q21027WH	20
QUAD210	2X10W	1400	4000K	silver	340	190	145	315	165	92Q21040SLV	20
QUAD210	2X10W	1400	2700K	silver	340	190	145	315	165	92Q21027SLV	20
QUAD210	2X10W	1400	4000K	dark grey	340	190	145	315	165	92Q21040DGR	20
QUAD210	2X10W	1400	2700K	dark grey	340	190	145	315	165	92Q21027DGR	20
QUAD310	3X10W	2100	4000K	white	490	190	145	465	165	92Q31040WH	20
QUAD310	3X10W	2100	2700K	white	490	190	145	465	165	92Q31027WH	20
QUAD310	3X10W	2100	4000K	silver	490	190	145	465	165	92Q31040SLV	20
QUAD310	3X10W	2100	2700K	silver	490	190	145	465	165	92Q31027SLV	20
QUAD310	3X10W	2100	4000K	dark grey	490	190	145	465	165	92Q31040DGR	20
QUAD310	3X10W	2100	2700K	dark grey	490	190	145	465	165	92Q31027DGR	20

Model	Watt	Whole fixture lumens (lm)	Colour temp. (K)	Colour body	Size					Catalogue number	Packing (pcs)
					L	W	H	L1	W1		
QUAD410	4X10W	2800	4000K	white	340	340	145	315	315	92Q41040WH	6
QUAD410	4X10W	2800	2700K	white	340	340	145	315	315	92Q41027WH	6
QUAD410	4X10W	2800	4000K	silver	340	340	145	315	315	92Q41040SLV	6
QUAD410	4X10W	2800	2700K	silver	340	340	145	315	315	92Q41027SLV	6
QUAD410	4X10W	2800	4000K	dark grey	340	340	145	315	315	92Q41040DGR	6
QUAD410	4X10W	2800	2700K	dark grey	340	340	145	315	315	92Q41027DGR	6
QUAD610	6X10W	4200	4000K	white	490	340	145	465	315	92Q61040WH	4
QUAD610	6X10W	4200	2700K	white	490	340	145	465	315	92Q61027WH	4
QUAD610	6X10W	4200	4000K	silver	490	340	145	465	315	92Q61040SLV	4
QUAD610	6X10W	4200	2700K	silver	490	340	145	465	315	92Q61027SLV	4
QUAD610	6X10W	4200	4000K	dark grey	490	340	145	465	315	92Q61040DGR	4
QUAD610	6X10W	4200	2700K	dark grey	490	340	145	465	315	92Q61027DGR	4

Energy efficiency



Standards

EN 55015

EN 61000-3-2; EN 61000-3-3

EN 61547

EN 60598-1; EN 60598-2-2



Barcodes

Barcode	Catalogue number
3800131188212	92Q11040WH
3800131188229	92Q11027WH
3800131188236	92Q11040DGR
3800131188243	92Q11027DGR
3800131188250	92Q21040WH
3800131188267	92Q21027WH
3800131188274	92Q21040DGR
3800131188281	92Q21027DGR
3800131188298	92Q31040WH
3800131188304	92Q31027WH
3800131188311	92Q31040DGR
3800131188328	92Q31027DGR
3800131188335	92Q41040WH
3800131188342	92Q41027WH
3800131188359	92Q41040DGR
3800131188366	92Q41027DGR
3800131188373	92Q61040WH
3800131188380	92Q61027WH
3800131188397	92Q61040DGR
3800131188403	92Q61027DGR